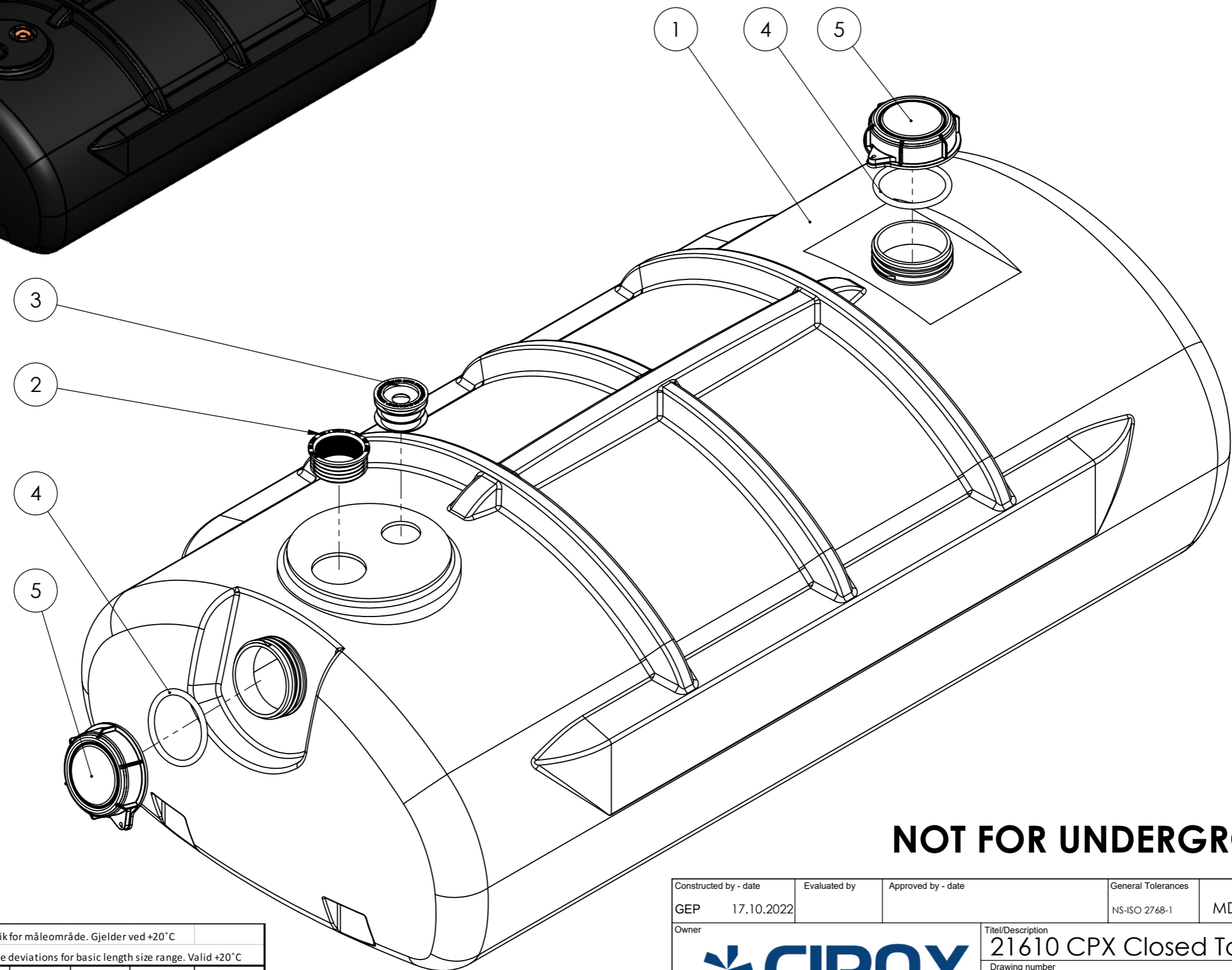


ITEM NO.	PART NUMBER	DESCRIPTION	QTY.
1	21610	CPX Closed Tank 2100L	1
2	8800079	Rubber nipple 123-126/110 mm	1
3	8800078	Rubber nipple 96-105/50-70	1
4	8800296	O-ring 165mm	2
5	8800189	Lid 185mm	2



**NOT FOR UNDERGROUND USE!**

Generelle toleranser om ikke annet er oppgitt på tegning	Tilatte avvik for måleområde. Gjelder ved +20°C				
General tolerances if not other stated on drawing	Permissible deviations for basic length size range. Valid +20°C				
	0-20	>20-75	>75-150	>150-300	>300
	±0,5mm	±1mm	±1,5mm	±1,3%	±1%

Constructed by - date GEP 17.10.2022	Evaluated by	Approved by - date	General Tolerances NS-ISO 2768-1	Finish, Ra MDPE	View ⊕	Scale 1:10
Owner <b>CIPAX</b>		Titel/Description 21610 CPX Closed Tank 2100L		Revision B	Sheet size A3	Sheet 1(2)
		Drawing number 1384 - 313				

1 2 3 4 5 6 7 8

A

B

C

D

E

F

A

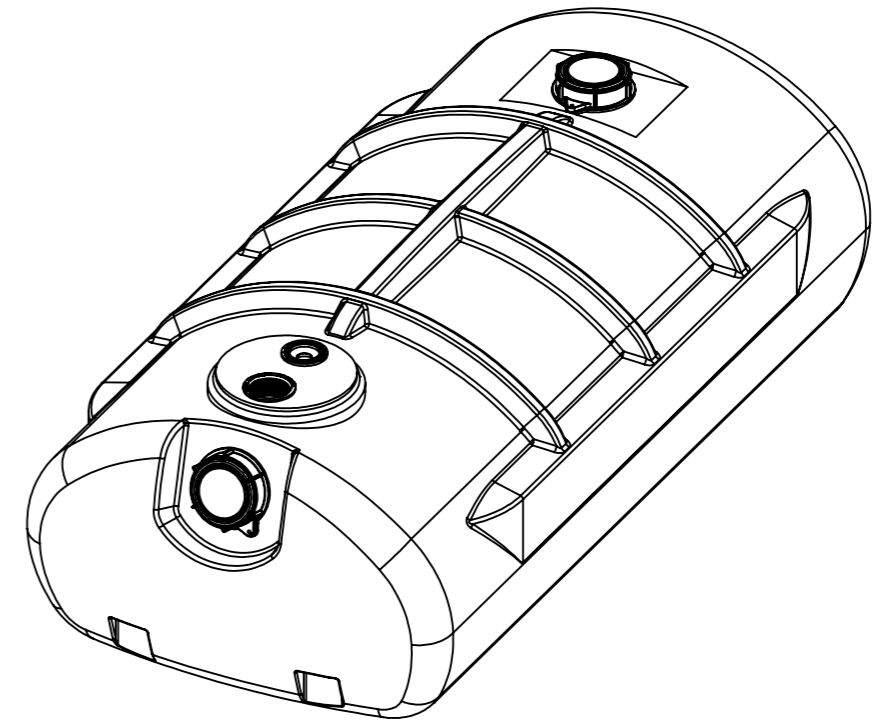
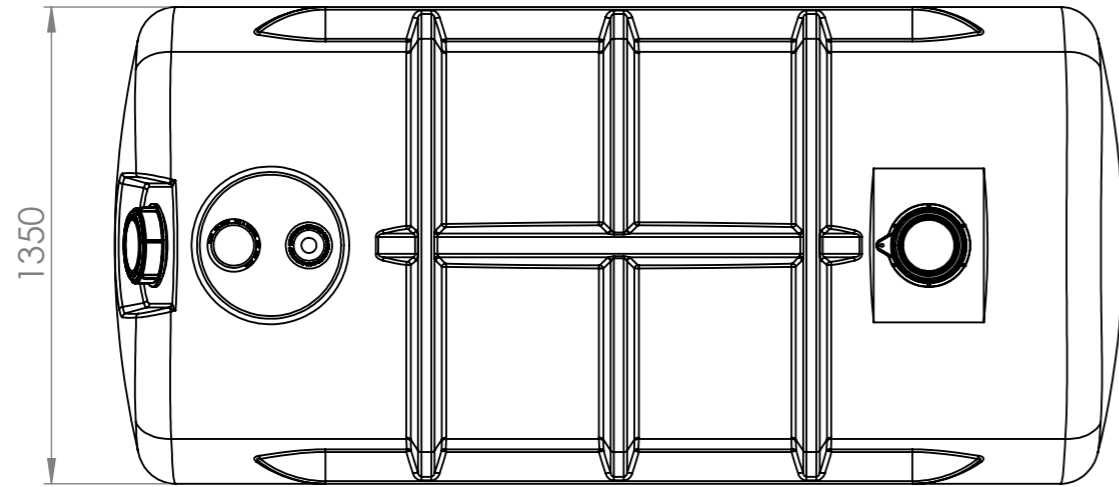
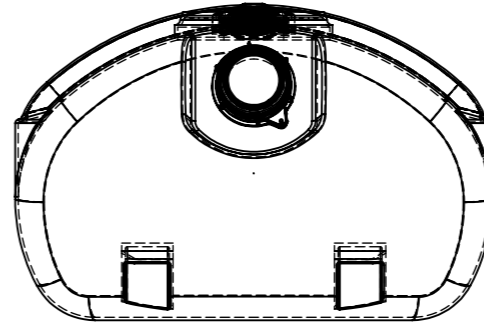
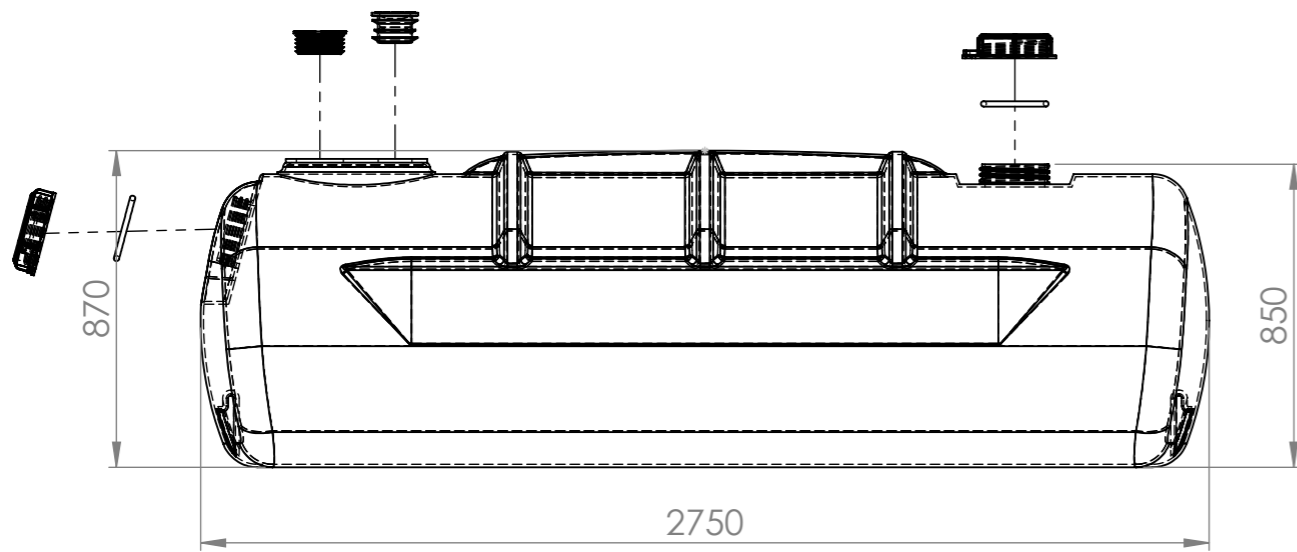
B

C

D

E

F



**NOT FOR UNDERGROUND USE!**

Generelle toleranser om ikke annet er oppgitt på tegning	Tilatte avvik for måleområde. Gjelder ved +20°C				
General tolerances if not other stated on drawing	Permissible deviations for basic length size range. Valid +20°C				
	0-20	>20-75	>75-150	>150-300	>300
	±0,5mm	±1mm	±1,5mm	±1,3%	±1%

Constructed by - date	Evaluated by	Approved by - date	General Tolerances	Finish, Ra	View	Scale
GEP 17.10.2022			NS-ISO 2768-1	MDPE		1:20
Owner		Titel/Description		Revision	Sheet size	Sheet
		21610 CPX Closed Tank 2100L		B	A3	2(2)
		Drawing number				
		1384 - 313				

1 2 3 4 5 6 7 8